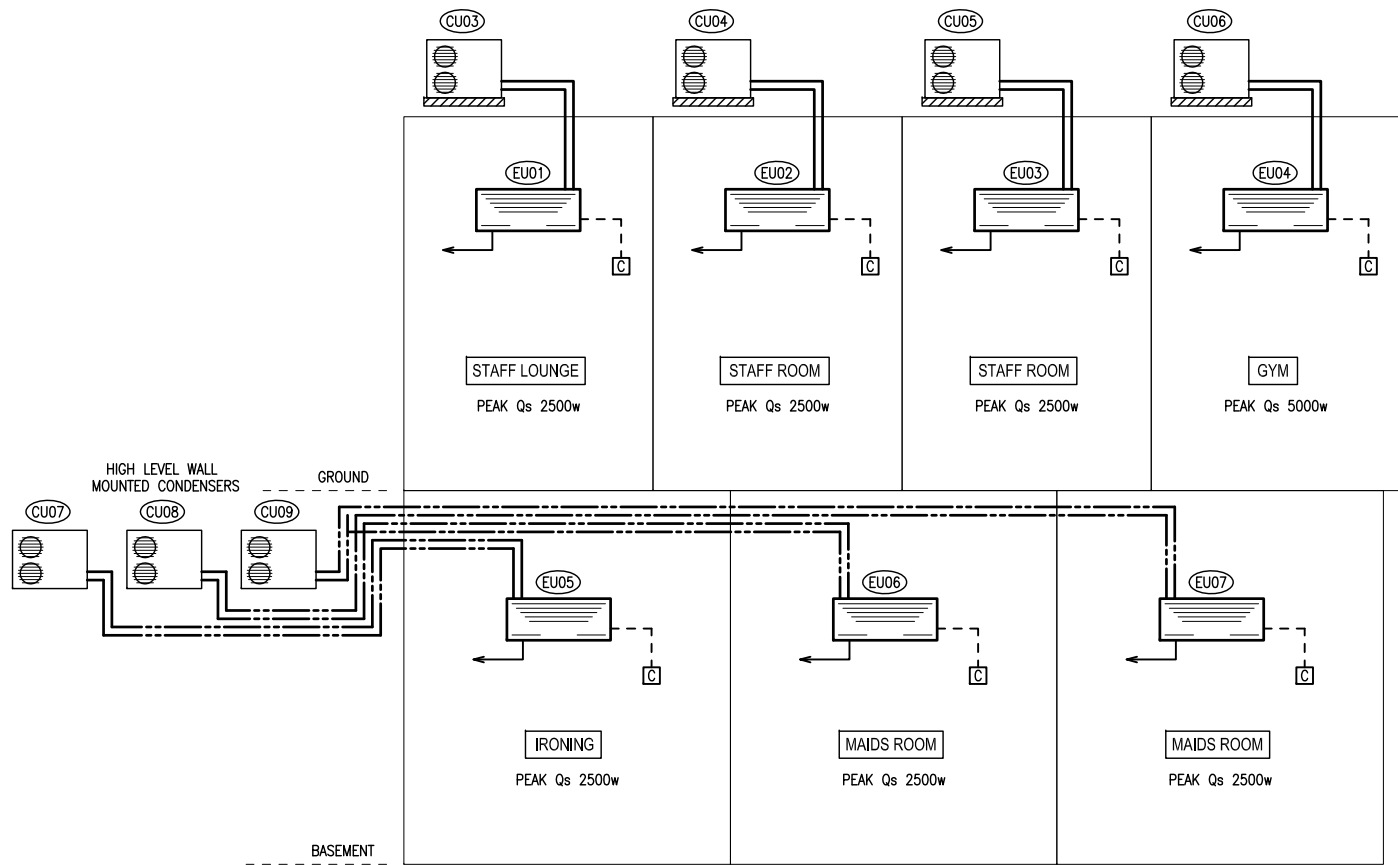
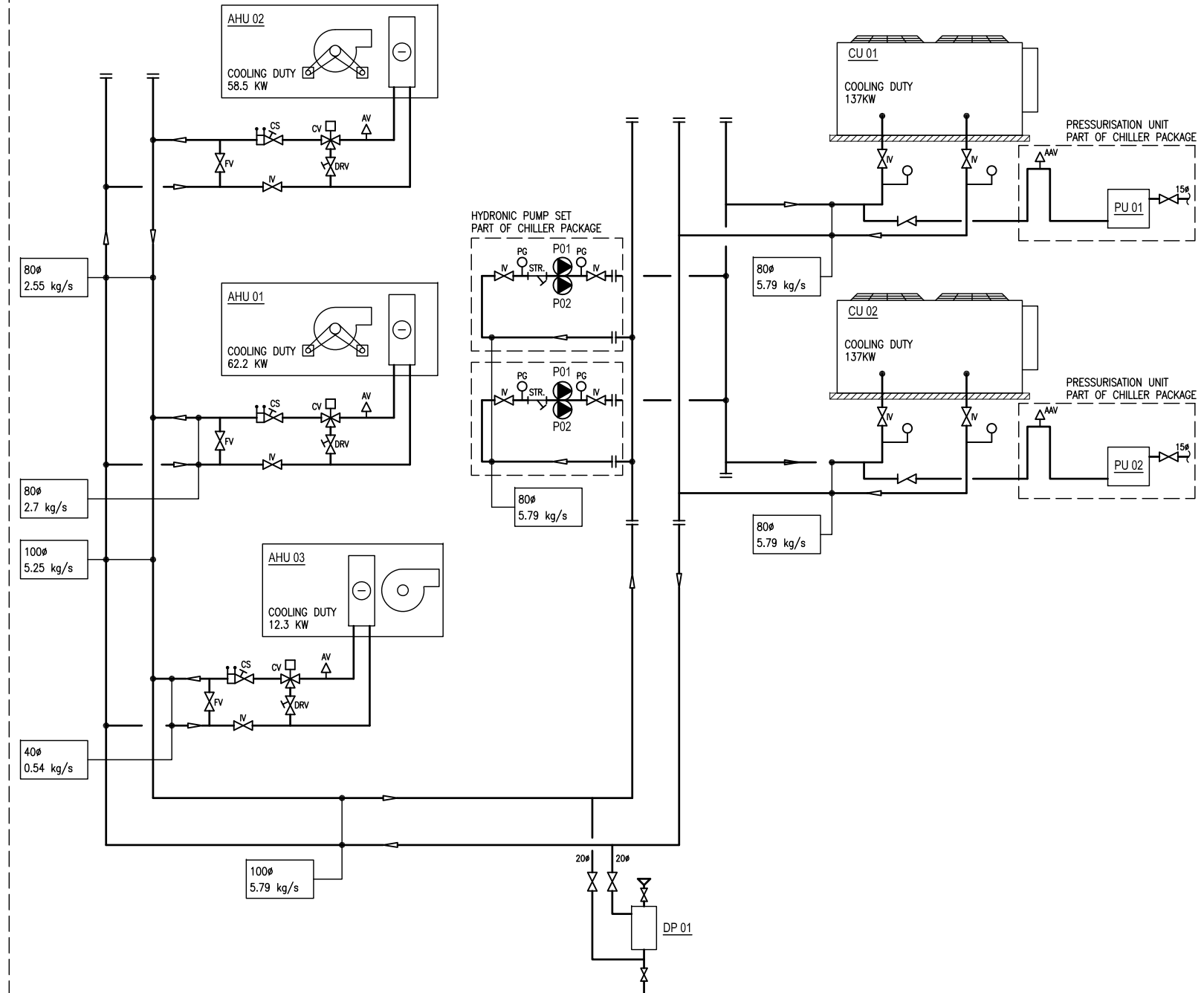


UNITARY COOLING UNIT EQUIPMENT SCHEDULE									
ROOM	REF NO's			EQUIPMENT Qs COOLING CAPACITY		EQUIPMENT SELECTED		EQUIPMENT POWER	
	ROOM REF	INDOOR UNIT	EXT. UNIT	W	BTU/HR	INDOOR	OUTDOOR	AMPS	WATTS
STAFF LOUNGE	GF36	EU01	CU03	5.27	18000	42QNL018-703	38K20-7	11	2220
STAFF ROOM	GF35	EU02	CU04	5.27	18000	42QNL018-703	38K20-7	11	2220
STAFF ROOM	GF34	EU03	CU05	5.27	18000	42QNL018-703	38K20-7	11	2220
GYM	GF27	EU04	CU06	7.02	24000	42QNL024-703	38K28-7	14.5	2925
IRONING	-	EU05	CU07	7.02	24000	42QNL024-703	38K28-7	14.5	2925
MAIDS ROOM	BS16	EU06	CU08	5.27	18000	42QNL018-703	38K20-7	11	2220
MAIDS ROOM	BS12	EU07	CU09	5.27	18000	42QNL018-703	38K20-7	11	2220



UNITARY COOLING UNIT DIAGRAMMATIC



CHILLED WATER DIAGRAMMATIC