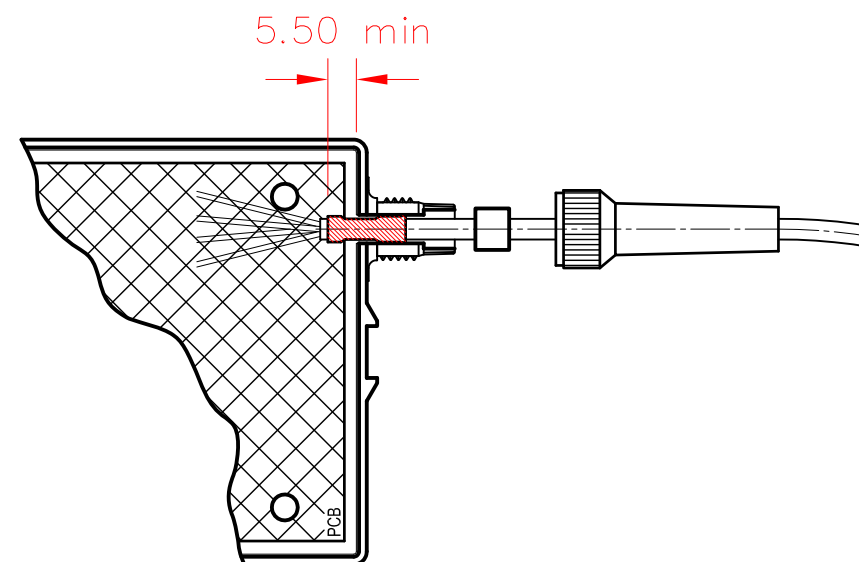
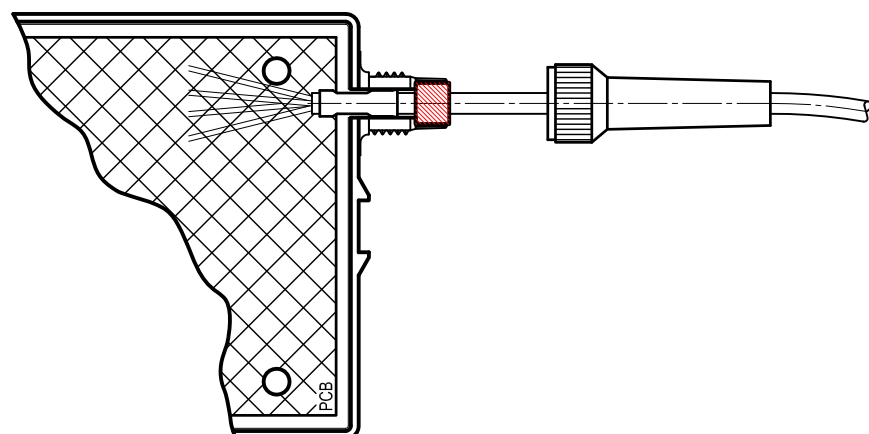


STEP 1



Ensure that minimum 5.5mm aluminium ferrule is visible inside enclosure.

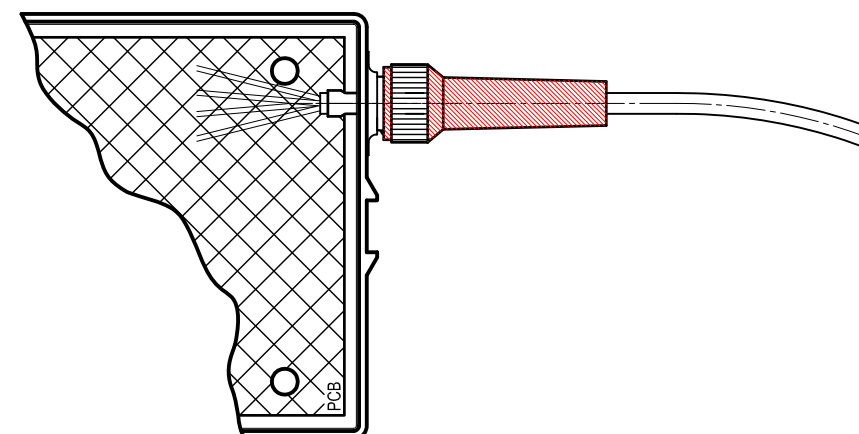
STEP 2



On assembly ensure neoprene sleeve is loose against aluminium ferrule before locating gland nut.

Locate neoprene sealing sleeve.

STEP 3



Locate gland nut.

STEP 4